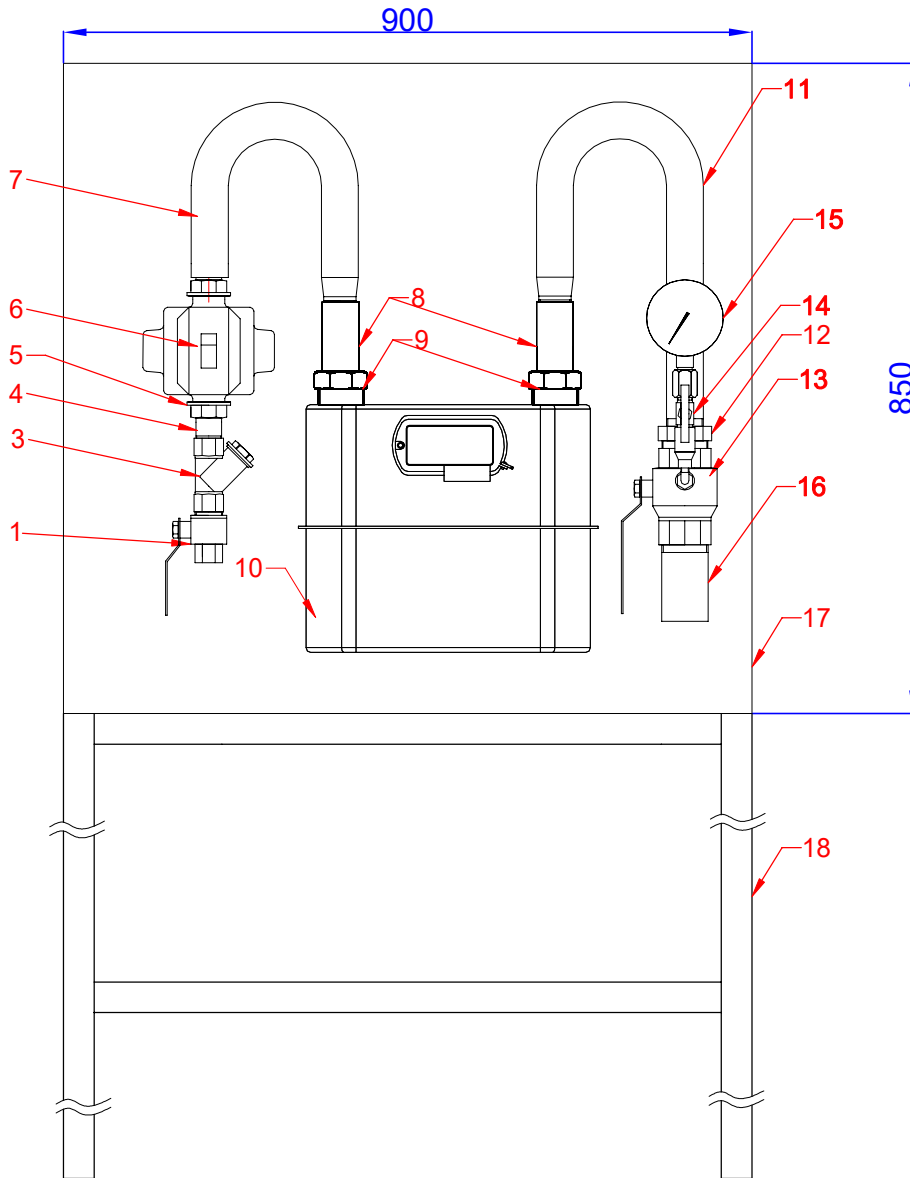




Name	WEBA MRS G10/16		Index	07-10-0016-PRP	CODE
	Individual/Catalog	Prototype/Production	Order no.		
Date		10-08-2020		Additional information	
Drawn by		A. Prech			



Id	Name	Qty	Qtty
1	Ball valve 1" f-f	1	pc
2	Reduction nipple 1 1/4" x 1"	1	pc
3	Y-strainer DN25	1	pc
4	Connctor 1 1/4"x64 with thread 1"	1	pc
5	Nut 1 1/4"	2	pcs
6	Gas pressure regulator	-	-
7	Pipe 180 degrees with thread 1 1/4"	1	pc
8	Connector 1 1/2" with thread 1 1/4"	2	pcs
9	Nut 2"	2	pcs
10	Gas meter 280mm	-	-
11	Pipe 180 degrees 1 1/4"x 1 1/2"	1	pc
12	Reduction nipple 1 1/2" x 2"	1	pc
13	Ball valve 2" f-f with output to manometer	1	pc
14	Pressure tap PN100 M20x1.5	1	pc
15	Pressure gauge 0-10kPa	1	pc
16	Steel pipe with thread 2"	1	pc
17	Metal gas cabinet 900x850x300, wall-mounted, gray	1	pc
18	Metal stand 900x300 H-1500	1	pc