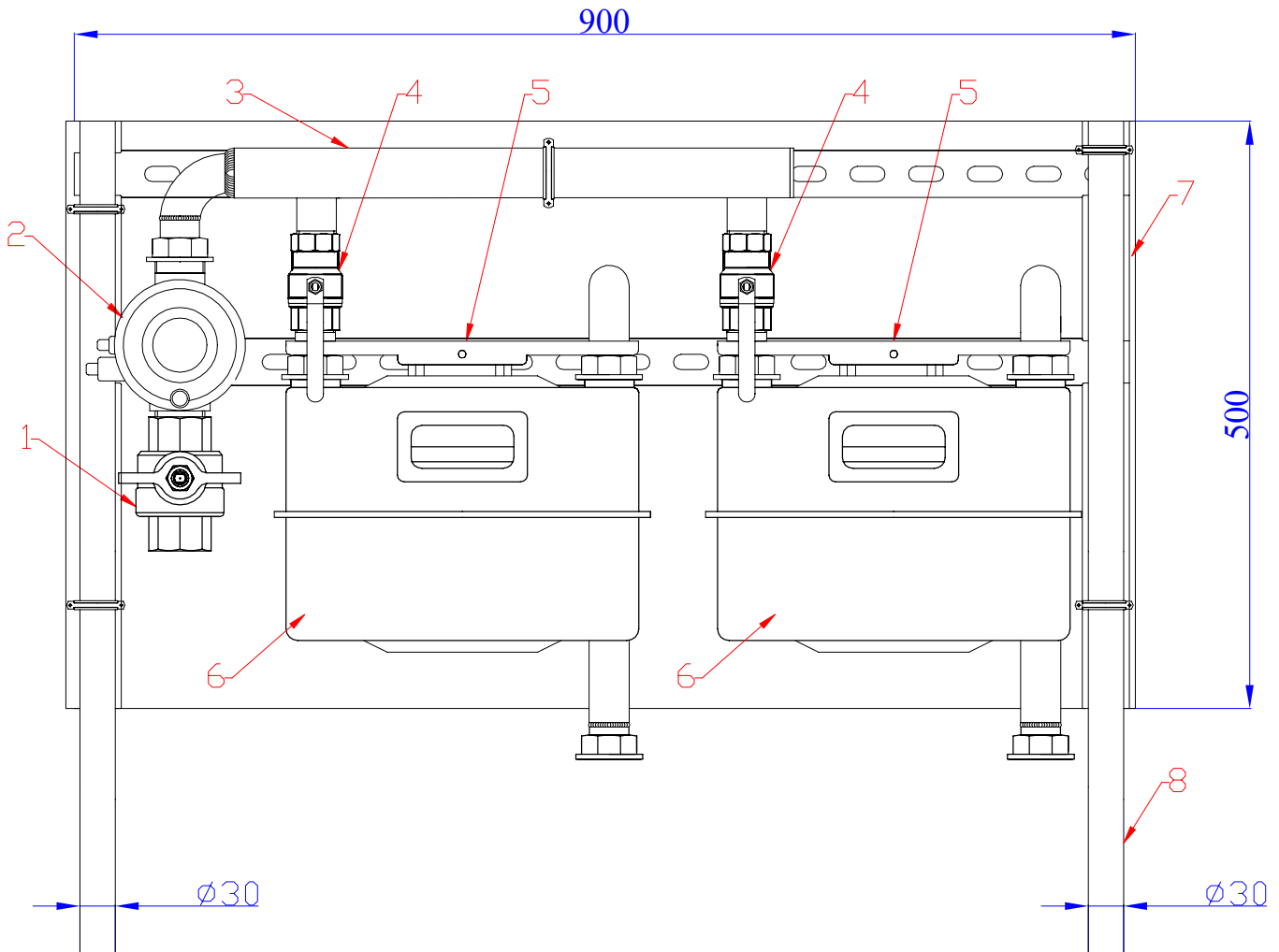




|                        |                    |                      |           |            |      |
|------------------------|--------------------|----------------------|-----------|------------|------|
| Name                   | WEBA (2-es) IKER   |                      | Index     |            | CODE |
|                        | Individual/Catalog | Prototype/Production | AT / Norm |            |      |
| Additional information |                    |                      | Date      | 2020-11-02 |      |
|                        |                    |                      | Drawn by: | A. Prech   |      |



| Id | Name                          | Qty | Qtty | Remarks      |
|----|-------------------------------|-----|------|--------------|
| 1  | Butterfly ball valve 1 1/4"   | 1   | pc   |              |
| 2  | Gas pressure regulator        | 1   | pc   | not included |
| 3  | Collector for 2 gas meters    | 1   | pc   |              |
| 4  | Ball valve 1"                 | 2   | pcs  |              |
| 5  | Gas meter bar for welding     | 2   | pcs  |              |
| 6  | Gas meter 250mm               | 2   | pcs  | not included |
| 7  | Metal gas cabinet 900x500x250 | 1   | pc   |              |
| 8  | Metal stand H1500             | 1   | pc   |              |